



**MOTOROLA**

# Visor Microphones HMN1072() and HMN1073()

for use with

**MCS 2000™ Mobile Radios and  
ASTRO® XTS™ Vehicular Adapter**

## Introduction

*NOTE:* The empty parentheses at the end of the kit numbers and part numbers mentioned in this document stand for the alphabetical character (A, B, etc.) that denotes the revision level of the kit or part. The revision level of the kits and/or parts may change from time to time without affecting the validity of these installation instructions.

The HMN1072() and HMN1073() Visor Microphones described in this instruction sheet are identical except for the length (1-foot vs. 17 feet respectively) of the adapter cable provided. Both microphones are compatible with Vehicular Adapters and ASTRO XTS Vehicular Adapters.

This instruction sheet describes the installation of the visor microphone to the visor of a vehicle and the installation of the visor microphone cable to an MCS 2000 Mobile Radio. Installation information for connecting the visor microphone cable to an ASTRO XTS Vehicular Adapters is included in a separate publication (Motorola part number 68P81092C83).

## ASTRO XTS Vehicular Adapter Application

Information in this document: **Introduction**, **Contents of Kits**, and **Installation Procedure** (steps 1, 2, and 3) applies to the ASTRO XTS Vehicular Adapter as well as the MCS 2000 Mobile Radio. Information after **Installation Procedure** (steps 3) does not apply to the ASTRO XTS Vehicular Adapter; it applies only to MCS 2000 Mobile Radios.

The following table includes wiring information only for ASTRO XTS Vehicular Adapter applications.

Item and Description	ASTRO XTS J5 Pin Number	Signal Function and Wire Color
HMN1072 and HMN1073 Visor Microphones	pin 9 pin 10	Signal (white) Ground (green)

## MCS 2000 Mobile Radio Application

All of the information in this document applies to use with MCS 2000 Mobile Radios. The visor microphones attach to the sun visor of the vehicle to allow Emergency with Voice to Follow in Trunking Operation (only in Model II and Model III Radios), and hands-free operation. For hands-free operation, an optional gooseneck push-to-talk switch (kit number GLN7279()) or footswitch (kit number GLN7278()) is required.

*NOTE:* Only one microphone can be connected to *accessory connector* of radio. That microphone will be in addition to the microphone connected to *control head* of radio.

---

## Contents of Kits

The contents of the Visor Microphone Kits are as follows:

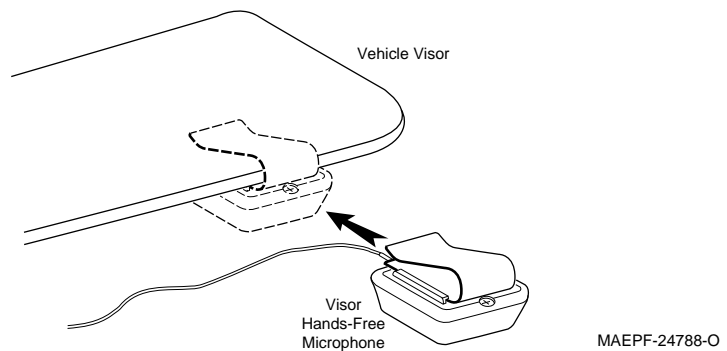
- Kit Number HMN1072() contains:
  - Visor Microphone Kit Number FMC 1611()
  - Adapter Cable Kit HKN6116(), which contains 1-foot adapter cable part number 3005361Z01
- Kit Number HMN1073() contains:
  - Visor Microphone Kit Number FMC 1611()
  - Adapter Cable Kit HKN6117(), which contains 17-foot adapter cable part number 3005361Z02

---

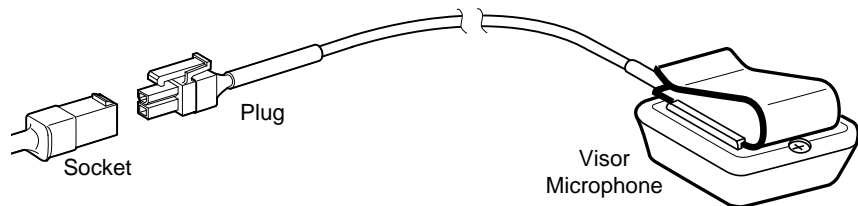
## Installation Procedure

To install the visor microphone, perform the following steps in the order listed:

1. Refer to the illustration below and clip microphone onto sun visor of vehicle.



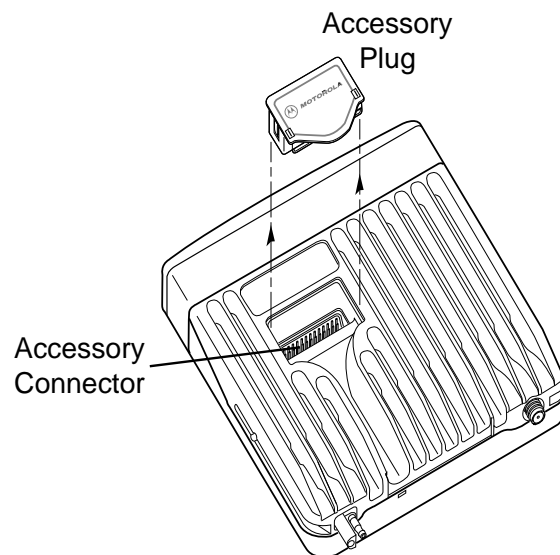
2. Refer to illustration below and insert plug on microphone wire into socket on adapter cable.



3. To avoid visual or physical obstruction, route microphone wire with adapter cable connected down inside of vehicle door molding and under vehicle rug to location of radio body.

*NOTE:* On low power radio, strain relief device for accessory wires is a plastic ring, which can be snapped out of radio body by using hand pressure in a direction perpendicular to radio body. On mid power radio, strain relief device is a plastic hairpin-like device, which can be compressed and then slid off of heat fin of radio by using hand pressure in a direction parallel to radio body. On high power radio, strain relief device is a Nylon tie-down strap, fastened to radio mounting tray.

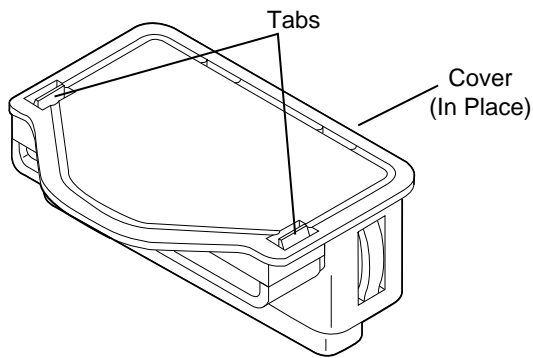
4. Refer to the illustration below and locate the accessory plug on bottom of radio. If any accessories are already connected to radio, as indicated by wires going into accessory plug, detach strain relief device from radio (for low and mid power radios) or from radio mounting tray (for high power radio).



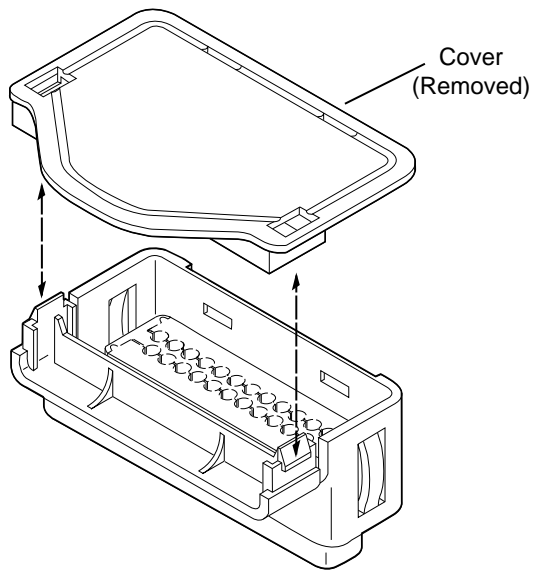
MAEPF-25600-O

5. Unplug accessory plug from its mating accessory connector on bottom of the radio. Be careful not to damage or otherwise disturb any accessory wires that are already connected to plug.

6. Refer to illustrations below, squeeze tabs, and lift cover off of accessory plug.

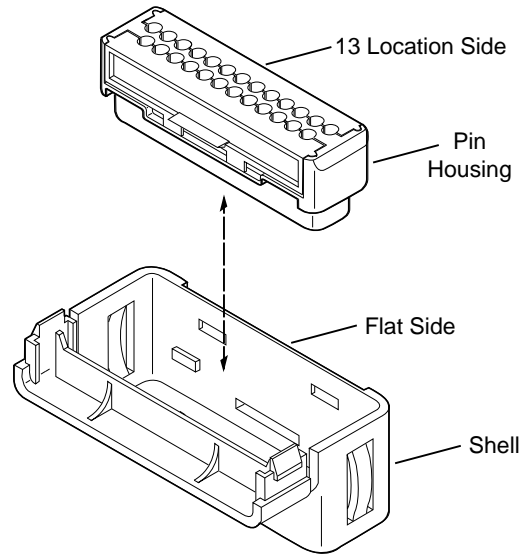


MAEPF-25539-A



MAEPF-25569-O

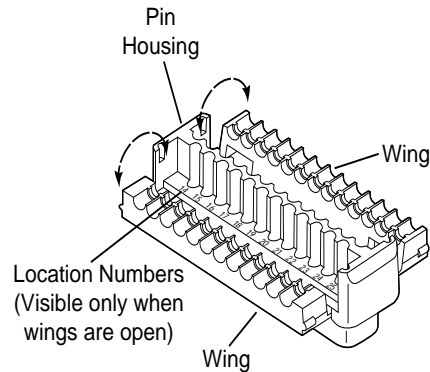
7. Refer to illustration below and, using thumb pressure from bottom of shell, push pin housing up and out of shell.



MAEPF-25540-O

**NOTE:** Numbers for pin locations in pin housing of accessory plug are visible only when pin housing is removed from its shell and its wings are fully open.

8. Refer to illustration below and open out both wings of pin housing being careful that existing pins do not fall out of pin housing.



MAEPF-25541-O

9. Examine and record locations of any pins with wires attached already inserted into pin housing of accessory plug.
10. If examination performed in step 9 revealed a jumper wire connected between location 9 and either location 4 or 10 of accessory plug, remove and discard that jumper wire at this time.
11. For low and mid power radios, thread free end of adapter cable connected to visor microphone wire through hole in strain relief device that was detached from radio in step 3. For high power radio, thread adapter cable under Nylon cable tie-down strap in radio baseplate beneath back of radio body.
12. Insert pins of the three adapter cable wires into pin housing of accessory plug in accordance with the table below.

*Adapter Cable Lead Colors vs. Functions and Connection Points*

Color	Function	Location in Accessory Plug
Green (either)	Emergency	9
Green (either)	Ground	10
White (center conductor)	Microphone (signal wire)	23

13. Verify that pins on any other accessory wires observed in step 9 above are seated securely in their proper locations in pin housing. Then close both wings of pin housing.
14. Insert pin housing back into shell in the opposite way it was removed. Be certain that 13-location side of pin housing is facing flat side of shell. Also be sure that pin housing snaps securely into shell and is not cocked in shell.
15. Install cover onto accessory connector by snapping cover over the tabs and pressing down.
16. Plug accessory plug into accessory connector on bottom of radio.

© 2000 by Motorola, Inc.  
8000 W. Sunrise Boulevard  
Ft. Lauderdale, FL 33322

Ⓜ, Motorola, MCS 2000, ASTRO, and XTS are trademarks of Motorola, Inc.  
Printed in U.S.A. 02/00. All rights reserved.



68P81109C93-B